

Temperature Sensors Series S10P

FEATURES

- Stainless steel design
- Standard accuracy 1/3DIN
- Hygienic process connection
- Head mounted transmitters

TYPICAL USES

- Food and beverage industry
- Pharmaceutical



S10P

TECHNICAL SPECIFICATIONS

Sheath Diameter:	6mm,8mm,9mm
Sheath Length:	50 to 1000 mm
Sensor Type :	Pt 100, -50 to +200 °C
Wiring Configuration:	Single, 3wire Double , 3wire
Accuracy Class:	Class A (1/3DIN IEC60751)
Protection Class :	IP66
Process Connection :	G1/2" G3/4" G1" Tri- clamp® Milkcoupling (DIN11851) Varivent®

Electrical Connection : PG gland

WETTED PARTS

Sensor : 316 SS

NON WETTED PARTS

Housing : 304 SS

TRANSMITTER

Output :	4-20mA, 2wire Hart protocol
Power Supply :	8-35 Vdc
Accuracy :	0.1%

APPROVALS

ATEX Exia II CT4
3A
EHEDG

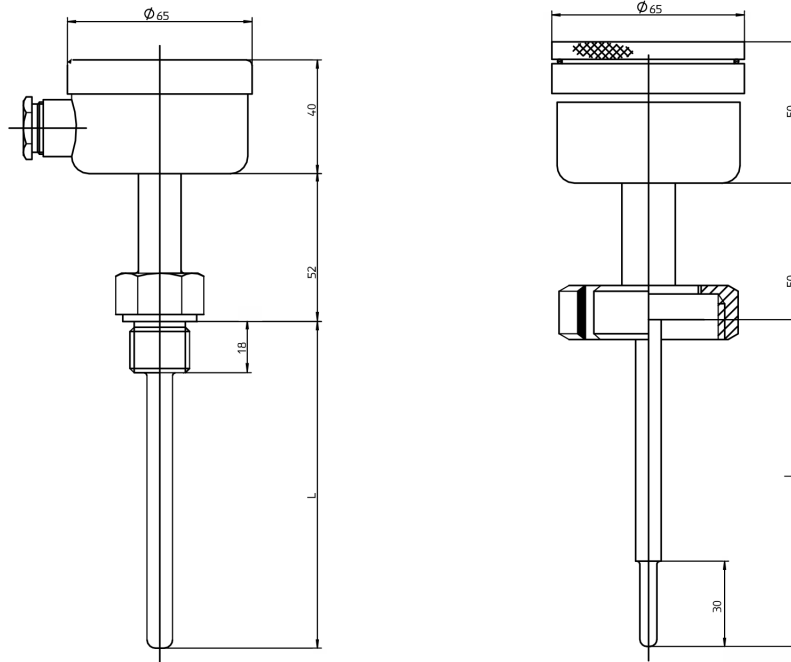
KEY BENEFITS

- Fast response time
- Vibration resistant
- Fast deliveries

Temperature Sensors Series S10P

DIMENSIONS (mm)

For reference only, consult Ashcroft for specific dimensional drawings



Temperature Sensors Series S10P

ORDERING CODE	EXAMPLE:	S10P	E	D	L15	L100	N	D6	KH	HT	C4
Model											
S10P	Temperature Sensors										
Sensor											
E	Single (1 x PT-100/3-wire)		E								
D	Double (2 x PT-100/3-wire)										
Head type											
C	304 SS , bayonet cover										
D	304 SS , screw cover (IP66)			D							
Process Connection											
GV	G1/2" fixed nipple										
GO	G1/2" turning nipple										
O	G3/4" coupling nut										
S	G1" Sanitary connection (male) Milk										
M25	coupling DN 25(DIN11851) Tri-										
L15	clamp @ 1½"				L15						
X4	Varivent®										
X	Special connection										
Sheath Length											
L100	100mm					L100					
L...	length probe in mm.										
Lag Length											
N	No						N				
E	Extra Extension between housing and process connection										
Sheath Diameter											
D6	6 mm (straight)							D6			
D8	8 mm(straight)										
D9	9 mm (straight)										
D96	9 mm, with reduced tip 6 mm										
D...	Other diameter (specify)										
In-Head Transmitter											
S	No transmitter (standard)										
K	4-20 mA transmitter										
KH	4-20 mA and HART Protocol								KH		
Options											
HT	Sensor range -200/+400°C, per element									HT	
P1	Probe with exchangeable element										
P5	Insertion out of Bar Stock										
EX	ATEX Intrinsicly safe In-Head transmitter										
Approval											
G153	3A approved only for 1,5" and 2" Tri Clamp connections										
C4	Calibration certificate										C4